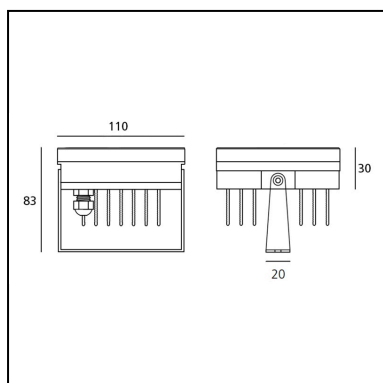


Ego 6 Spot - 24Vdc - 10° 3000K

Studio Artemide



IP65  



LUMINAIRE

- Power Supply: **Electronic supplied separately**
- Watt: **12W**
- Voltage: **24Vdc**
- Delivered lumen output: **755lm**
- CCT: **3000K**
- Efficiency: **96%**
- Efficacy: **62.88lm/W**
- CRI: **80**

Notes

Spot optic: concentrated luminous flow to highlight details avoiding unwanted light dispersion. 9° optic.

DESCRIPTION

Floor/ wall /Ceiling adjustable spotlight, with LED sources.
Materials: floor/ wall support and body in painted aluminium, screen in tempered glass. PMMA lenses - spot optic.
Monochrome white LED, 3000K (warm).

FEATURES

- Product Code: **T7633SPW00**
- Colour: **Silver grey**
- Material: **Aluminium**
- Series: **Architectural Outdoor**
- Area contract: **null, Outdoor**
- design by: **Studio Artemide**

DIMENSIONS

- Height: **83 mm**
- Diameter: **110 mm**

SOURCES INCLUDED

- Category: **Led**
- Number: **1**
- Watt: **12W**
- Delivered lumen output: **444lm**
- Color temperature (K): **3000K**
- Voltage: **24 Vdc**

Accessories

NO
IMAGE
AVAILABLE

DRIVER 25W 24V DC T409996

NO
IMAGE
AVAILABLE

DRIVER 90W 24V DC T409999

NO
IMAGE
AVAILABLE

Driver cv 150W 24Vdc DV5004

NO
IMAGE
AVAILABLE

Driver - 24W - 24Vdc - IP67 - 185x35x35 (LxWxH) -
DALI DV1041

NO
IMAGE
AVAILABLE

Dimmer LED Master - 288W - 12-24Vdc - IP20 -
156x52x26 (LxWxH) - DALI/Push/1-10/0-10
NL19096

NO
IMAGE
AVAILABLE

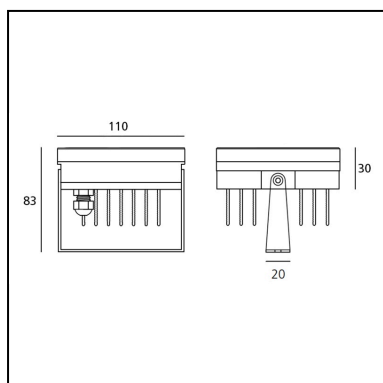
DRIVER 60W 24V DC T409998

Ego 6 Spot - 24Vdc - 26° 3000K

Studio Artemide



IP65  



LUMINAIRE

- Power Supply: **Electronic supplied separately**
- Watt: **12W**
- Voltage: **24Vdc**
- Delivered lumen output: **711lm**
- CCT: **3000K**
- Efficiency: **90%**
- Efficacy: **59.28lm/W**
- CRI: **80**

Notes

Medium optic: Medium luminous flux to highlight details, large sections of windows. (25°)

DESCRIPTION

Floor/ wall /Ceiling adjustable spotlight, with LED sources.
Materials: floor/ wall support and body in painted aluminium, screen in tempered glass. PMMA lenses - Medium optic.
Monochrome white LED, 3000K (warm).

FEATURES

- Product Code: **T7633FLW00**
- Colour: **Silver grey**
- Material: **Aluminium**
- Series: **Architectural Outdoor**
- Area contract: **null, Outdoor**
- design by: **Studio Artemide**

DIMENSIONS

- Height: **83 mm**
- Diameter: **110 mm**

SOURCES INCLUDED

- Category: **Led**
- Number: **1**
- Watt: **12W**
- Delivered lumen output: **444lm**
- Color temperature (K): **3000K**
- Voltage: **24 Vdc**

Accessories

NO
IMAGE
AVAILABLE

DRIVER 25W 24V DC T409996

NO
IMAGE
AVAILABLE

DRIVER 90W 24V DC T409999

NO
IMAGE
AVAILABLE

Driver cv 150W 24Vdc DV5004

NO
IMAGE
AVAILABLE

Driver - 24W - 24Vdc - IP67 - 185x35x35 (LxWxH) - DALI DV1041

NO
IMAGE
AVAILABLE

Dimmer LED Master - 288W - 12-24Vdc - IP20 - 156x52x26 (LxWxH) - DALI/Push/1-10/0-10 NL19096

NO
IMAGE
AVAILABLE

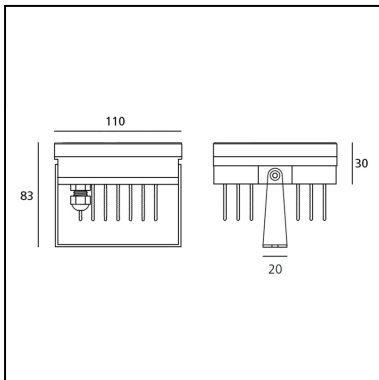
DRIVER 60W 24V DC T409998

Ego 6 Spot - 24Vdc - EL 3000K

Studio Artemide



IP65  



LUMINAIRE

- Power Supply: **Electronic supplied separately**
- Watt: **12W**
- Voltage: **24Vdc**
- Delivered lumen output: **723lm**
- CCT: **3000K**
- Efficiency: **92%**
- Efficacy: **60.26lm/W**
- CRI: **80**

Notes

Medium optic:
Medium luminous flux to highlight details, large sections of windows. (25°)

DESCRIPTION

Floor/ wall /Ceiling adjustable spotlight, with LED sources.
Materials: floor/ wall support and body in painted aluminium, screen in tempered glass. PMMA lenses - Medium optic.
Monochrome white LED, 3000K (warm).

FEATURES

- Product Code: **T7633ELPTW00**
- Colour: **Silver grey**
- Material: **Aluminium**
- Series: **Architectural Outdoor**
- Area contract: **null, Outdoor**
- design by: **Studio Artemide**

DIMENSIONS

- Height: **83 mm**
- Diameter: **110 mm**

SOURCES INCLUDED

- Category: **Led**
- Number: **1**
- Watt: **12W**
- Delivered lumen output: **444lm**
- Color temperature (K): **3000K**
- Voltage: **24 Vdc**

Accessories

NO
IMAGE
AVAILABLE

DRIVER 25W 24V DC T409996

NO
IMAGE
AVAILABLE

DRIVER 90W 24V DC T409999

NO
IMAGE
AVAILABLE

Driver cv 150W 24Vdc DV5004

NO
IMAGE
AVAILABLE

Driver - 24W - 24Vdc - IP67 - 185x35x35 (LxWxH) - DALI DV1041

NO
IMAGE
AVAILABLE

Dimmer LED Master - 288W - 12-24Vdc - IP20 - 156x52x26 (LxWxH) - DALI/Push/1-10/0-10 NL19096

NO
IMAGE
AVAILABLE

DRIVER 60W 24V DC T409998