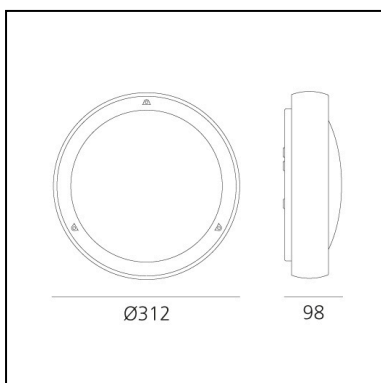


# Niki LED Retrofit Gloss

Ernesto Gismondi



IP65   



## LUMINAIRE \*

- Watt: **13W**
- Voltage: **220V-240V**
- Delivered lumen output: **930lm**
- CCT: **2700K**
- Efficiency: **61%**
- Efficacy: **71.52lm/W**
- CRI: **80**

\* Photometric data may vary depending on the source installed. Light measurements are provided in relative form and technical lighting calculations may be updated according to the effective source used.

## Notes

Suitability of the equipment for "cascade".

## DESCRIPTION

Light fixture with diffuse emission, with LED sources. Wall and ceiling installation. Lamp unit in AISI316 stainless steel. Moulded covering frame in AISI316 stainless steel, satiny or polished finish. AISI 316 stainless steel screws and polyurethane seal gaskets. Suitable for watertight connection. Electronic ballast.

## FEATURES

- Product Code: **AH10013**
- Colour: **Gloss**
- Installation: **Wall, Ceiling**
- Material: **Steel, prismatic glass**
- Series: **Architectural Outdoor**
- Environment: **Outdoor**
- Emission: **Diffused**
- design by: **Ernesto Gismondi**

## DIMENSIONS

- Height: **98 mm**
- Diameter: **312 mm**
- Impact Resistance: **IK05**

## SOURCES NOT INCLUDED

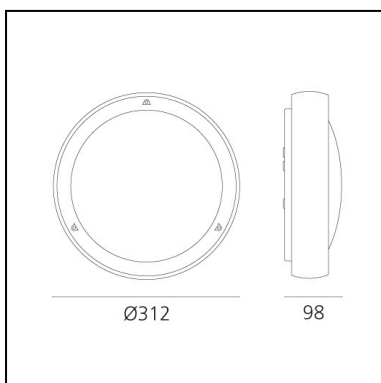
- Category: **LED RETROFIT**
- Number: **1**
- Watt: **15W**
- Socket: **E27**

# Niki LED Retrofit Satin

Ernesto Gismondi



IP65   



## LUMINAIRE \*

- Watt: **13W**
- Voltage: **220V-240V**
- Delivered lumen output: **930lm**
- CCT: **2700K**
- Efficiency: **61%**
- Efficacy: **71.52lm/W**
- CRI: **80**

\* Photometric data may vary depending on the source installed. Light measurements are provided in relative form and technical lighting calculations may be updated according to the effective source used.

## Notes

Suitability of the equipment for "cascade".

## DESCRIPTION

Light fixture with diffuse emission, with LED sources. Wall and ceiling installation. Lamp unit in AISI316 stainless steel. Moulded covering frame in AISI316 stainless steel, satin or polished finish. AISI 316 stainless steel screws and polyurethane seal gaskets. Suitable for watertight connection. Electronic ballast.

## FEATURES

- Product Code: **AH10015**
- Colour: **Satin**
- Installation: **Wall, Ceiling**
- Material: **Steel, prismatic glass**
- Series: **Architectural Outdoor**
- Environment: **Outdoor**
- Emission: **Diffused**
- design by: **Ernesto Gismondi**

## DIMENSIONS

- Height: **98 mm**
- Diameter: **312 mm**
- Impact Resistance: **IK05**

## SOURCES NOT INCLUDED

- Category: **LED RETROFIT**
- Number: **1**
- Watt: **15W**
- Socket: **E27**