
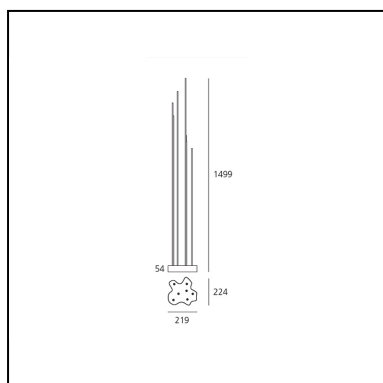


# Reeds IP67

Klaus Begasse



IP67 



## LUMINAIRE

- Watt: **8W**
- Voltage: **220-240V**
- Delivered lumen output: **105lm**
- CCT: **3000K**
- Efficiency: **10%**
- Efficacy: **13.12lm/W**
- CRI: **80**

## Notes

220/240Vac 50/60Hz electronic ballast included.

## DESCRIPTION

Floor light fixture with diffuse emission, with monochromatic LED light sources. Available with IP20 protection rating for indoors, IP67 and IP68 for outdoors. IP67 and IP68 versions are available in Single or Triple shape. Light is diffused through 7 PMMA rods with different heights to give the impression of a reed bed and which can be screwed to the base by means of AISI 316 stainless steel bushes. Part of the light is also diffused on the floor around the base. The base has an irregular shape, which has been designed to allow a «mosaic» connection with other light fixtures so as to create an elaborate composition as needed. Technical features in compliance with EN60598-1 (IP20, IP67) and section 2-18 (IP68). Consists of a base made up of a transparent polycarbonate casing installed between 2 AISI316 stainless steel plates fixed by means of AISI316 stainless steel screws. Water sealing is assured by a silicone gasket. The light fixture can be fastened to the floor by means of the holes in the lower plate. Technopolymer aesthetic cover. Complete with integrated ballast and supplied with a 1.5 m-long H05RN-F 2x1 cable provided with IP67 connector for the electrical connection to the mains suitable for 5-13.5mm diameter cables.

## FEATURES

- Product Code: **T087400**
- Colour: **Anthracite grey**
- Installation: **Floor**
- Material: **Methacrylate, polycarbonate**
- Series: **Architectural Outdoor**
- design by: **Klaus Begasse**

## DIMENSIONS

- Length: **220 mm**
- Width: **220 mm**
- Height: **1500 mm**
- Impact Resistance: **IK10**
- Glow Wire Test: **750°**

## SOURCES INCLUDED

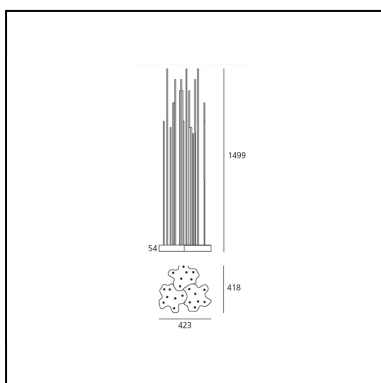
- Category: **Led**
- Number: **1**
- Color Tolerance: **MacAdam 3SDCM**
- Service Life: **Life L70(17K) 102000h**

# Reeds IP67 Triple

Klaus Begasse



IP67 



## LUMINAIRE

- Watt: **22W**
- Voltage: **220-240V**
- Delivered lumen output: **314lm**
- CCT: **3000K**
- Efficiency: **10%**
- Efficacy: **14.27lm/W**
- CRI: **80**

## Notes

220/240Vac 50/60Hz electronic ballast included.

## DESCRIPTION

Floor light fixture with diffuse emission, with monochromatic LED light sources. Available with IP20 protection rating for indoors, IP67 and IP68 for outdoors. IP67 and IP68 versions are available in Single or Triple shape. Light is diffused through 7 PMMA rods with different heights to give the impression of a reed bed and which can be screwed to the base by means of AISI 316 stainless steel bushes. Part of the light is also diffused on the floor around the base. The base has an irregular shape, which has been designed to allow a «mosaic» connection with other light fixtures so as to create an elaborate composition as needed. Technical features in compliance with EN60598-1 (IP20, IP67) and section 2-18 (IP68). Consists of a base made up of a transparent polycarbonate casing installed between 2 AISI316 stainless steel plates fixed by means of AISI316 stainless steel screws. Water sealing is assured by a silicone gasket. The light fixture can be fastened to the floor by means of the holes in the lower plate. Technopolymer aesthetic cover. Complete with integrated ballast and supplied with a 1.5 m-long H05RN-F 2x1 cable provided with IP67 connector for the electrical connection to the mains suitable for 5-13.5mm diameter cables.

## FEATURES

- Product Code: **T087700**
- Colour: **Anthracite grey**
- Installation: **Floor**
- Material: **Methacrylate, polycarbonate**
- Series: **Architectural Outdoor**
- design by: **Klaus Begasse**

## DIMENSIONS

- Length: **420 mm**
- Width: **420 mm**
- Height: **1500 mm**
- Impact Resistance: **IK10**
- Glow Wire Test: **750°**

## SOURCES INCLUDED

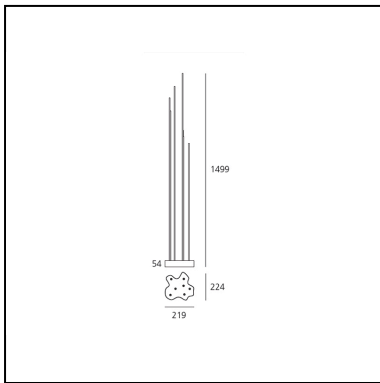
- Category: **Led**
- Number: **3**
- Color Tolerance: **MacAdam 3SDCM**
- Service Life: **Life L70(17K) 102000h**

# Reeds IP68

Klaus Begasse



IP68 



## LUMINAIRE

- Watt: **8W**
- Voltage: **24V**
- Delivered lumen output: **105lm**
- CCT: **3000K**
- Efficiency: **10%**
- Efficacy: **13.12lm/W**
- CRI: **80**

## Notes

Electronic ballast 24Vdc supplied separately.

## DESCRIPTION

Floor light fixture with diffuse emission, with monochromatic LED light sources. Available with IP20 protection rating for indoors, IP67 and IP68 for outdoors. IP67 and IP68 versions are available in Single or Triple shape. Light is diffused through 7 PMMA rods with different heights to give the impression of a reed bed and which can be screwed to the base by means of AISI 316 stainless steel bushes. Part of the light is also diffused on the floor around the base. The base has an irregular shape, which has been designed to allow a «mosaic» connection with other light fixtures so as to create an elaborate composition as needed. Technical features in compliance with EN60598-1 (IP20, IP67) and section 2-18 (IP68). Consists of a base made up of a transparent polycarbonate casing installed between 2 AISI316 stainless steel plates fixed by means of AISI316 stainless steel screws. Water sealing is assured by a silicone gasket. The light fixture can be fastened to the floor by means of the holes in the lower plate. Technopolymer aesthetic cover. The light fixture is supplied with 24V DC power and is provided with a 5 m-long H05RN-F 2x1 cable with IP68 connector for the electrical connection to the mains suitable for 5-13.5mm diameter cables.

## FEATURES

- Product Code: **T087500**
- Colour: **Anthracite grey**
- Installation: **Floor**
- Material: **Methacrylate, polycarbonate**
- Series: **Architectural Outdoor**
- design by: **Klaus Begasse**

## DIMENSIONS

- Length: **220 mm**
- Width: **220 mm**
- Height: **1500 mm**
- Impact Resistance: **IK10**
- Glow Wire Test: **750°**

## SOURCES INCLUDED

- Category: **Led**
- Number: **1**
- Color Tolerance: **MacAdam 3SDCM**
- Service Life: **Life L70(17K) 102000h**

**Accessories**

NO  
IMAGE  
AVAILABLE

DRIVER 25W 24V DC T409996

NO  
IMAGE  
AVAILABLE

DRIVER 90W 24V DC T409999

NO  
IMAGE  
AVAILABLE

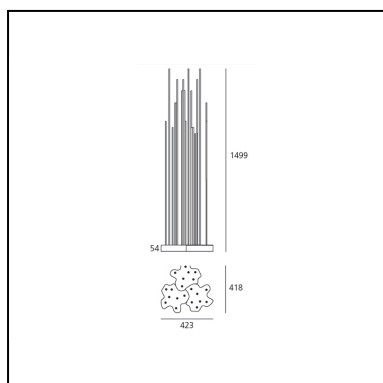
DRIVER 60W 24V DC T409998

# Reeds IP68 Triple

Klaus Begasse



IP68 



## LUMINAIRE

- Watt: **23W**
- Voltage: **24V**
- Delivered lumen output: **314lm**
- CCT: **3000K**
- Efficiency: **10%**
- Efficacy: **13.65lm/W**
- CRI: **80**

## Notes

Electronic ballast 24Vdc supplied separately.

## DESCRIPTION

Floor light fixture with diffuse emission, with monochromatic LED light sources. Available with IP20 protection rating for indoors, IP67 and IP68 for outdoors. IP67 and IP68 versions are available in Single or Triple shape. Light is diffused through 7 PMMA rods with different heights to give the impression of a reed bed and which can be screwed to the base by means of AISI 316 stainless steel bushes. Part of the light is also diffused on the floor around the base. The base has an irregular shape, which has been designed to allow a «mosaic» connection with other light fixtures so as to create an elaborate composition as needed. Technical features in compliance with EN60598-1 (IP20, IP67) and section 2-18 (IP68). Consists of a base made up of a transparent polycarbonate casing installed between 2 AISI316 stainless steel plates fixed by means of AISI316 stainless steel screws. Water sealing is assured by a silicone gasket. The light fixture can be fastened to the floor by means of the holes in the lower plate. Technopolymer aesthetic cover. The light fixture is supplied with 24V DC power and is provided with a 5 m-long H05RN-F 2x1 cable with IP68 connector for the electrical connection to the mains suitable for 5-13.5mm diameter cables.

## FEATURES

- Product Code: **T087800**
- Colour: **Anthracite grey**
- Installation: **Floor**
- Material: **Methacrylate, polycarbonate**
- Series: **Architectural Outdoor**
- design by: **Klaus Begasse**

## DIMENSIONS

- Length: **420 mm**
- Width: **420 mm**
- Height: **1500 mm**
- Impact Resistance: **IK10**
- Glow Wire Test: **750°**

## SOURCES INCLUDED

- Category: **Led**
- Number: **3**
- Color Tolerance: **MacAdam 3SDCM**
- Service Life: **Life L70(17K) 102000h**

**Accessories**

NO  
IMAGE  
AVAILABLE

DRIVER 90W 24V DC T409999

NO  
IMAGE  
AVAILABLE

DRIVER 60W 24V DC T409998