
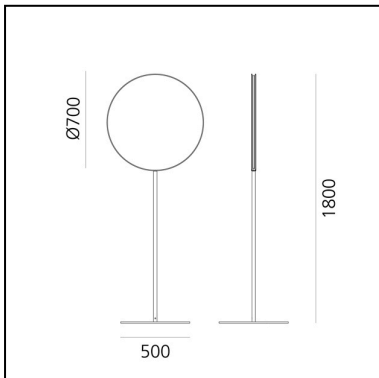


SejeS - Floor 180

Carolina Gismondi de
Bevilacqua



IP44 



LUMINAIRE

– Watt: **30W**

DESCRIPTION

SejeS wants to become a spatial palindrome which hides itself in illuminating and reflecting its surroundings. SejeS is a disk mirrored on both sides which, with a continuous light set back on the side, illuminates the environment without invading it. SejeS is a perfect solution for indoor and outdoor space, it reflects the architecture creating new perspective and interacts with the dynamism of the surrounding nature. SejeS can be oriented on the vertical axis, creating multiple sets. The two heights from the ground and the suspended version allow to capture different points of view and reflections to change the perception of the space creating scenographic landscape.

FEATURES

- Product Code: **T070510**
- Colour: **Black**
- Installation: **Floor**
- Material: **Mirror stainless steel reflective surface, painted steel stem and base**
- Series: **Architectural Outdoor**
- design by: **Carolina Gismondi de Bevilacqua**

DIMENSIONS

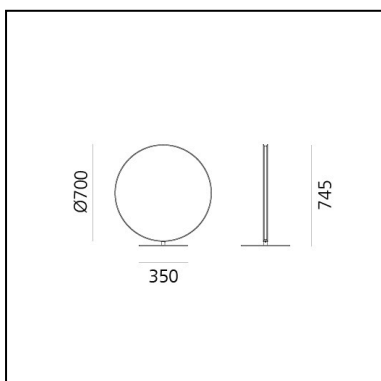
- Height: **1800 mm**
- Base Diameter: **500 mm**

Se|eS - Floor

Carolina Gismondi de Bevilacqua



IP44 



LUMINAIRE

– Watt: **30W**

DESCRIPTION

Se|eS wants to become a spatial palindrome which hides itself in illuminating and reflecting its surroundings.

Se|eS is a disk mirrored on both sides which, with a continuous light set back on the side, illuminates the environment without invading it.

Se|eS is a perfect solution for indoor and outdoor space, it reflects the architecture creating new perspective and interacts with the dynamism of the surrounding nature.

Se|eS can be oriented on the vertical axis, creating multiple sets. The two heights from the ground and the suspended version allow to capture different points of view and reflections to change the perception of the space creating scenographic landscape.

FEATURES

- Product Code: **T070410**
- Colour: **Black**
- Installation: **Floor**
- Material: **Mirror stainless steel reflective surface, painted steel stem and base**
- Series: **Architectural Outdoor**
- design by: **Carolina Gismondi de Bevilacqua**

DIMENSIONS

- Height: **745 mm**
- Base Diameter: **350 mm**